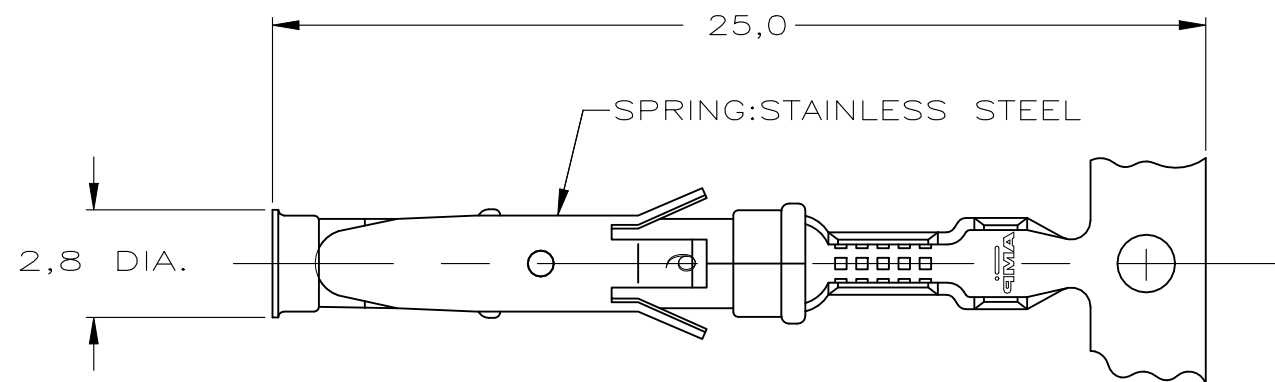
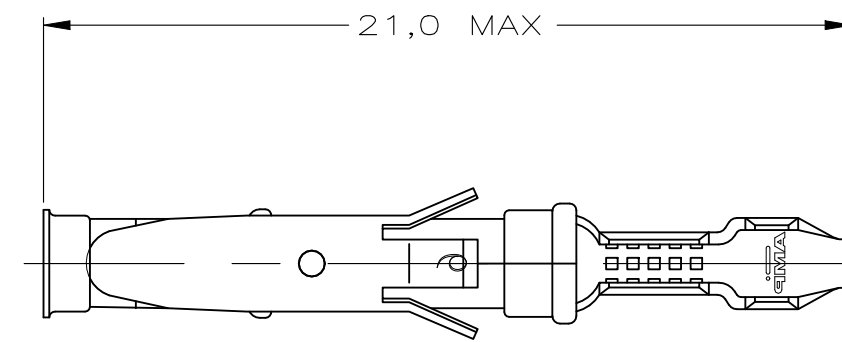


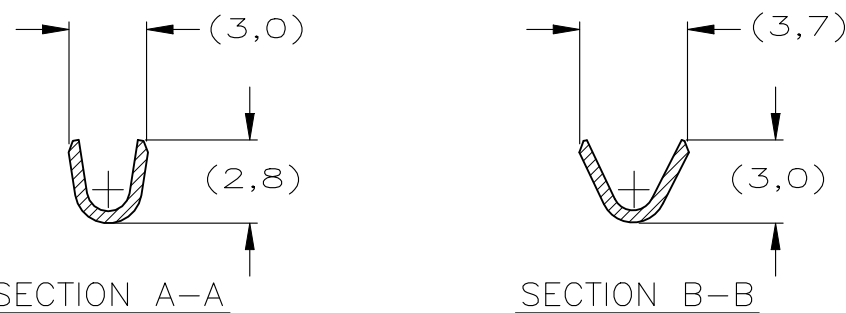
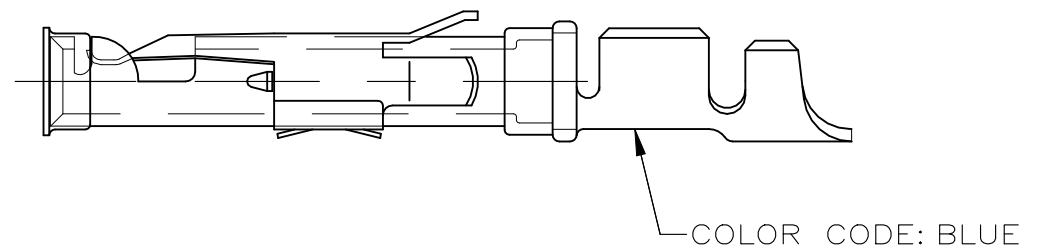
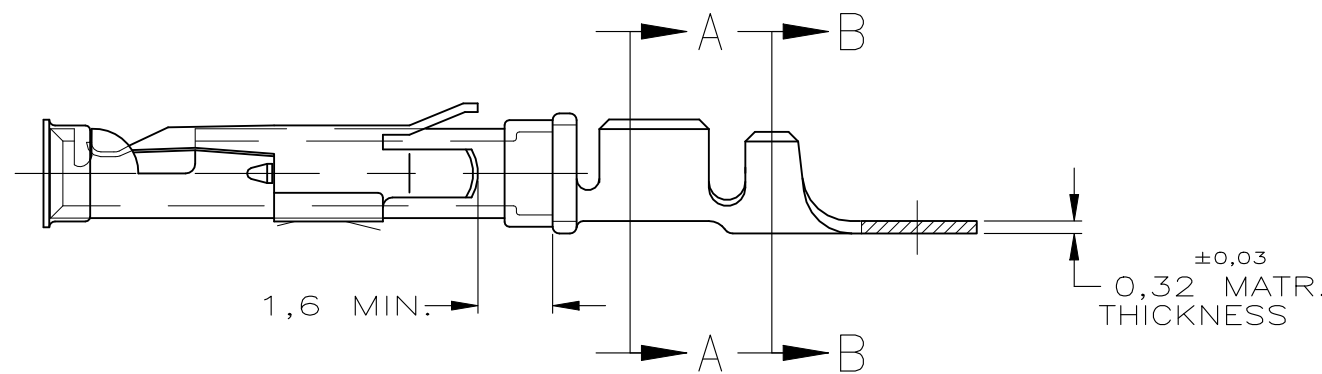
P	LTR	DESCRIPTION	DATE	DWN	APVD
	BA	ECO-21-006957	25JUN2021	RK	MZ



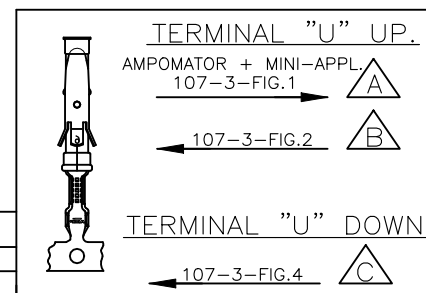
STRIP



LOOSE-PIECE



WIRE RANGE : 0,75-1,50 mm<sup>2</sup> (18-16 AWG)  
 INSUL. RANGE : 2,0-2,5 mm (.080-.100)



REVISION	DESCRIPTION	DATE	MATERIAL	PLATING
△ 5	OBsolete	5-163083-3	1-163084-4	BRASS ECON.GOLD
△ 4		5-163083-2		BRASS SEL.GOLD
△ 4		5-163083-1		BRASS EL.TIN
		1-163083-4	1-163084-4	BRASS EL.TIN
△ 5	OBsolete	1-163083-3	1-163084-3	BRASS BR.TIN
		1-163083-2	163084-9	BRASS SILVER
		1-163083-1		BRASS ECON.GOLD
		1-163083-0	1-163084-0	BRASS ECON.GOLD
		163083-9		BRASS SILVER
		163083-8		BRASS EL.TIN
		163083-7		BRASS SEL.GOLD
△ 1		163083-2	163084-2	BRASS SEL.GOLD
△ 1		163083-1	163084-1	BRASS EL.TIN
PART NUMBER	DIRECTION OF REEL	LOOSE-PIECE	MATERIAL	PLATING

- NOTES :
- △ 1 UL RECOGNIZED UNDER E28476 VOL VI SEC I
  - 2 FOR CRIMP DETAILS SEE SPEC. 114-19000
  - 3 MEETS PRODUCT SPECIFICATION 108-10042
  - △ 4 SPECIAL REEL WITH 200PCS FOR REEL-FED HAND-TOOL
  - △ 5 OBSOLETE PARTS: OBSOLETE CIS STREAMLINING PER D.RENAUD/D.SINISI
  - △ 6 OBSOLETE
  - 7 OMISSION OF 6 CONTACTS MAX PER REEL OF 5000PCS
  - △ 31 LUBRICATED

NOTES	MATERIAL	THICKNESS	AREA
△ 20	TIN	2,0 μm	ALL OVER
△ 21	NICKEL GOLD TIN	.76 μm 1.01 μm	ALL OVER CONTACT AREA BARREL
△ 22	NICKEL GOLD TIN	1.27 μm .76 μm 1.01 μm	ALL OVER CONTACT AREA BARREL
△ 23	NICKEL GOLD GOLD	1,2 μm	ALL OVER CONTACT AREA ALL OVER
△ 27	NICKEL SILVER TIN	2,5 μm	ALL OVER CONTACT AREA BARREL
△ 28	SILVER NICKEL	1,5-2,5 μm 0,76 μm	ALL OVER
△ 29	SILVER	2,5 μm	ALL OVER
△ 30	NICKEL TIN	1,27 μm 1,27 μm	ALL OVER ALL OVER

THIS DRAWING IS A CONTROLLED DOCUMENT.

DIMENSIONS:	TOLERANCES UNLESS OTHERWISE SPECIFIED:
mm	0 PLC ± -
	1 PLC ± -
	2 PLC ± -
	3 PLC ± -
	4 PLC ± -
	ANGLES ± -
MATERIAL	FINISH
REFER TABLE	REFER TABLE

DWN	21JULY2015	M THAJUDEEN
CHK	21JULY2015	GANI NIMBENNAPPA
APVD	21JULY2015	PRASHANTH S
PRODUCT SPEC	108-10042	
APPLICATION SPEC	114-19000	
WEIGHT	-	
CUSTOMER DRAWING		

<b>STE</b> TE Connectivity			
TYPE III+, SIZE 16, SOCKET ASS'Y, 18-16 AWG, 2.0-2.5mm DIA INSULATION			
SIZE	CAGE CODE	DRAWING NO	RESTRICTED TO
A3	00779	C-163083	-
SCALE -		SHEET 1 OF 1	REV BA

# Mouser Electronics

Authorized Distributor

Click to View Pricing, Inventory, Delivery & Lifecycle Information:

[TE Connectivity:](#)

[163084-2](#)